

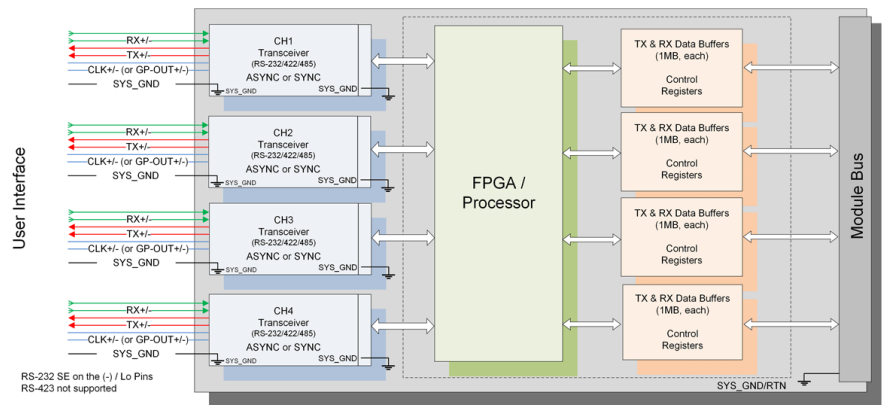
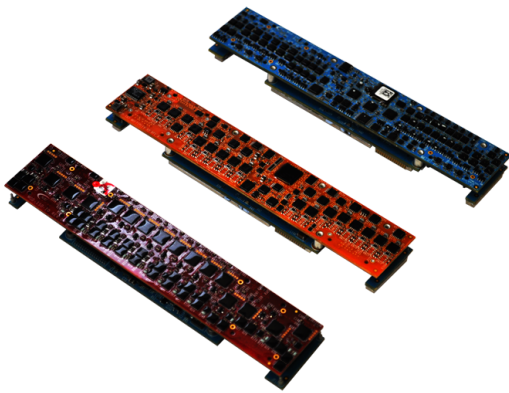


SC6 Communication Modules Serial Communications Function Modules

4 Serial Communication Channels, Programmable RS-232/422/485, Non-Isolated

Serial Communication Module SC6 provides up to 4 high-speed, programmable RS-232/422/485, individually non-isolated communication channels. Each channel is programmable for either RS-422/485 (differential, DF) or RS-232 (single ended, SE) hardware level interfaces. Individual channel non-isolated returns are available as part of the channel user interface signal set (for SE or SYS-GND reference).

Each channel has one Transmit and one Receive signal pair (+/-) available, as applicable. Synchronous (SYNC) communications mode automatically configures the clock (CLK) signal(s) on the associated channel (added feature, as compared to the older-GEN deprecated SC7 function module). If Asynchronous (ASYNC) mode is programmed, the (CLK) signals can also be repurposed as a general-purpose output, with the signal voltage levels programmed as per the selected hardware interface level mode (RS-232/422/485).



Features

- Four (4) high-speed non-isolated serial communications channels, as programmable RS-232/422/485
- Data Rates: Asynchronous (ASYNC) to 1.5 Mbps, Synchronous (SYNC) to 10 Mbps (high resolution programmable baud rates)
- SYNC Clock or General-Purpose Output
- Data transfers within (2) baud clocks for ASYNC communications, (15) baud clocks for SYNC communications
- Digital Noise filtering on Receivers
- A Receiver Enable/Disable function allows the user to turn selected receivers ON/OFF
- Common API/Register memory map with NAI SC3 module

Specifications

Number of Channels/Types	Four (4) high-speed, programmable RS-232/422/485, independently non-isolated. Each channel has one Tx, Rx and CLK (or General-purpose Output) signal pair (\pm) including a dedicated common non-isolated SYS-GND/Return reference.
Data Rate	RS422 and RS-485:1.5 Mb/s for each channel in asynchronous, or 10 Mb/s synchronous, differential mode (burst); RS-232: 250 Kb/s. Data rate will be within 1% of commanded rate. Data can be read 4 μ s after receipt in UART (typical bus transfer). These data rates are verified with all channels running simultaneously.
Data Transfer	Data transfers within: (2) baud clocks for ASYNC communications; (15) baud clocks for SYNC communications. Digital Noise filtering on receivers, no latency issues.
Receive/Transmit Buffers	1MB Receive and Transmit buffers, per channel
Mode of Operation	RS-232: Single Ended; RS-422: Differential; RS-485: Differential
Drivers & Receivers fan out (typ max)	RS-232: 1 driver and 1 receiver; RS-422: 1 driver and 10 receivers; RS-485: 32 driver/receiver pairs.
Drv Out Sig Lvl (min) @ Drv Ld (max, min imp)	RS-232: ± 5 V @ 3 k Ω load; RS-422: ± 2 V @ 100 Ω load; RS-485: ± 1.5 V @ 54 Ω (max load)
Max Driver Current in High-Z State (Power On)	RS-232: N/A; RS-422: N/A; RS-485: 100 μ A
Max Driver Current in High-Z State (Power Off)	RS-232: 6 mA @ ± 2 V; RS-422: 100 μ A; RS-485: 100 μ A
Receiver Input Voltage Range	RS-232: ± 15 V; RS-422: -10 V to +10 V; RS-485: -7 V to +12 V
Receiver Input Sensitivity	RS-232: ± 3 V; RS-422: ± 200 mV; RS-485: ± 200 mV
Receiver Input Resistance (typ) (Ohms)	RS-232: 5k typ. (3k to 7k); RS-422: 125k (1/8-unit load) or 120 (termination enabled); RS-485: 125k (1/8-unit load) or 120 (termination enabled)
Power (per 4 Channels)	5 VDC @ 200 mA, 360 mA fully loaded (54 Ω load per channel), (est.).
Ground	NON-ISOLATED, individual but common SYS-GND provided for each channel
Weight	1.5 oz. (42 g)

Architected for Versatility

NAI’s Configurable Open Systems Architecture™ (COSA®) offers a choice of over 100 smart I/O, communications, or Ethernet switch functions, providing the highest packaging density and greatest flexibility of ruggedized embedded product solutions in the industry. Preexisting, fully-tested functions can be combined in an unlimited number of ways quickly and easily.

One-Source Efficiencies

Eliminate man-months of integration with a configured, field-proven system from NAI. Specification to deployment is a seamless experience as all design, state-of-the-art manufacturing, assembly and test are performed - by one trusted source. All facilities are located within the U.S. and optimized for high-mix/low volume production runs and extended lifecycle support.

Product Lifecycle Management

From design to production and beyond, NAI’s product lifecycle management strategy ensures the long-term availability of COTS products through configuration management, technology refresh and obsolescence component purchase and storage.

All specifications are subject to change without notice. All product and company names are trademarks or registered trademarks of their respective holders

